

IQRF Lighting bridge

IQD-DB1M-01A

Description

The IQD-DB1M-01A indoor lighting bridge enables to communicate between equipment with the **D**igital **A**ddressable **L**ighting **I**nterface and IQRF wireless Mesh network. It works as a bidirectional data tunnel to transfer data frames between IQRF and **IEC 62386** standard. It is intended for mounting into soffits.

It is an IQRF Interoperable device according to the [IQRF Standard](#).

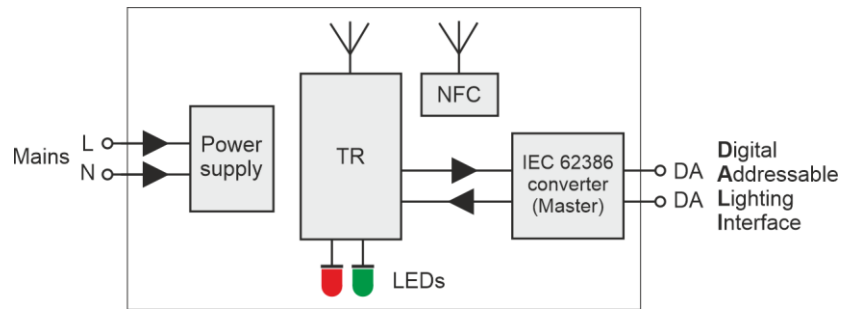


Key features

- NFC for easy contactless including into the network
- Indoor only, for mounting into soffits
- Small dimensions, 22 mm height
- Configurable via RF
- Powered from mains
- Interoperable, observing [IQRF Standard](#)

Applications

- Wirelessly controlled lighting
- Lamps
- Building automation
- For [STD](#) as well as [STD+LP](#) networks
- Internet of Things



Technical specifications

Typical values (until otherwise specified)

Power supply	100 V to 240 V AC (mains), 0.25 W max.
RF transceiver	TR-76D
RF antenna	Flexible printed circuit inside the case
RF band	868 MHz (916 MHz on request)
RF range	Up to 130 m ¹
Other RF parameters	See TR-76D datasheet
IQMESH network Node type	STD
Custom DPA Handler	HWPID = 0804
Default Access Password	All 16 B filled with zeros
Alternative DSM channel	67
Ambient temperature	-10 °C to +60 °C operating, -10 °C to +60 °C storage
Relative humidity	5 % to 80 %, without condensation
Case	ABS plastic, size 88 mm x 38 mm x 22 mm, ingress protection IP20, flammability UL 94 HB
Weight	48 g

Note 1: Test arrangement: bidirectional communication with a counterpart TR-72DA transceiver plugged in DK-EVAL-04A kit, both devices in free space, 1.6 m above the ground, antennas in the bridge and the counterpart oriented parallelly. For **non-parallel** arrangement, the range is **seriously lower**.